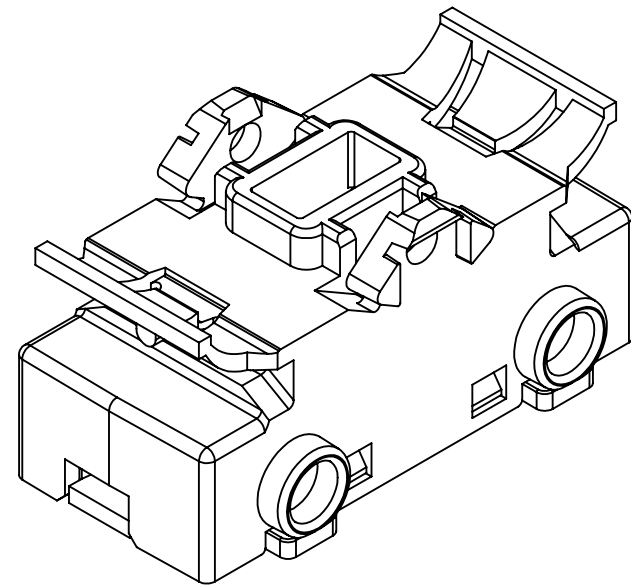
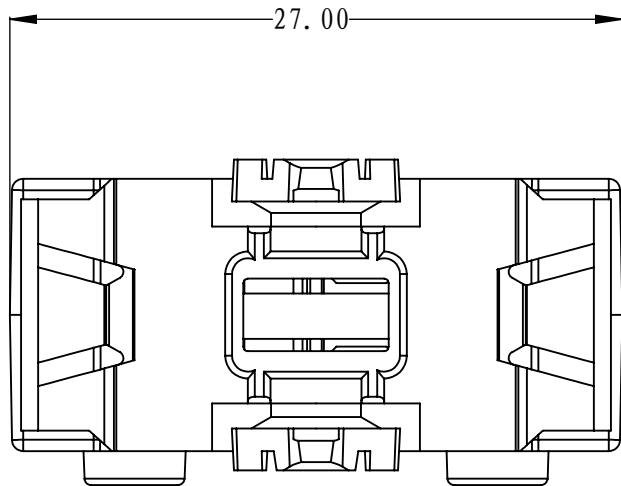
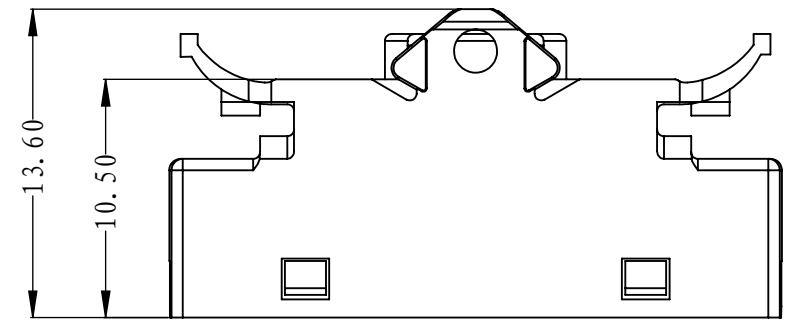
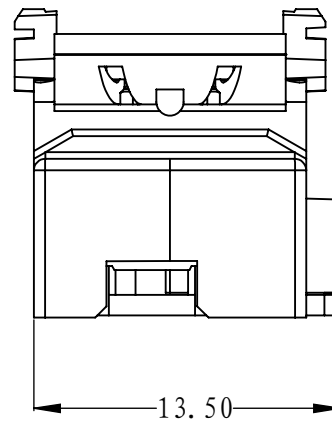
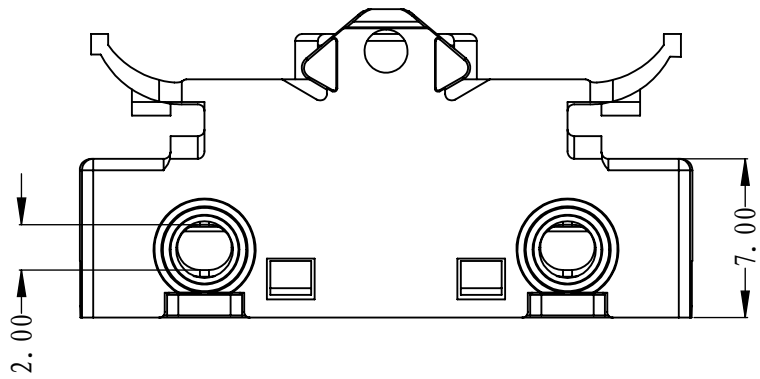


SERIAL NUMBER: Q/KR.C09-05-186

JIANGMEN KREALUX ELECTRICAL APPLIANCES CO., LTD				MODEL NO: KS3			
DRAWN		DATE		EDITION	A	SCALE	3: 1



SERIAL NUMBER: Q/KR.C09-05-186

JIANGMEN KREALUX ELECTRICAL APPLIANCES CO., LTD				MODEL NO: KS3/9-N-N			
DRAWN		DATE		EDITION	A	SCALE	3:1