

SERIAL NUMBER: Q/KR.C09-05-186

JIANGMEN
KREALUX ELECTRICAL APPLIANCES CO., LTD

MODEL NO:

T04-M12

DRAWN

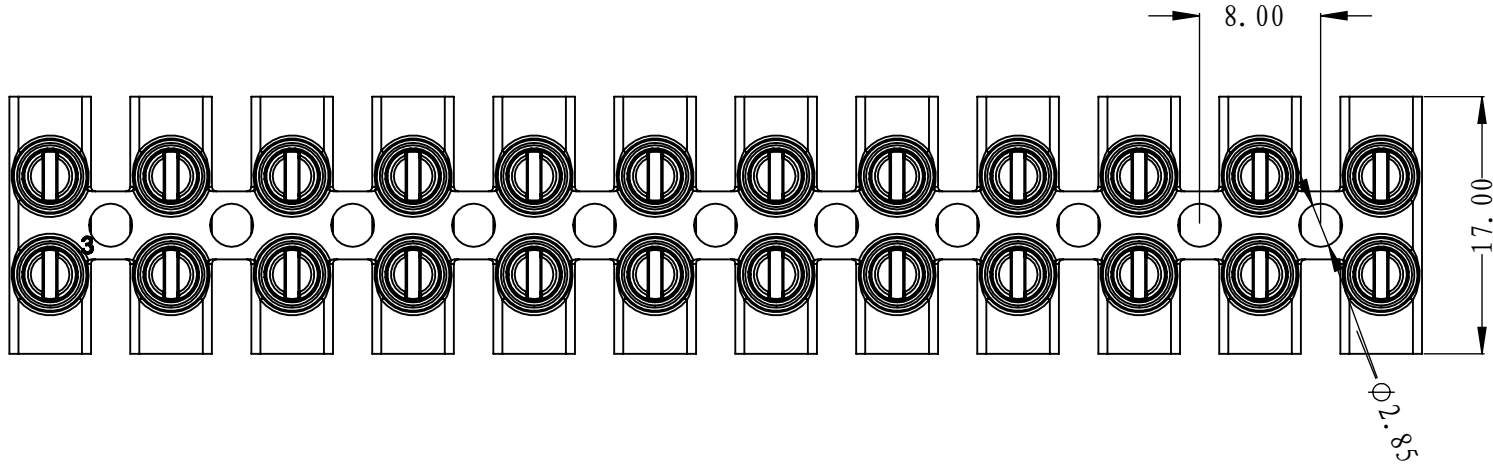
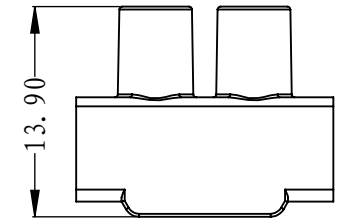
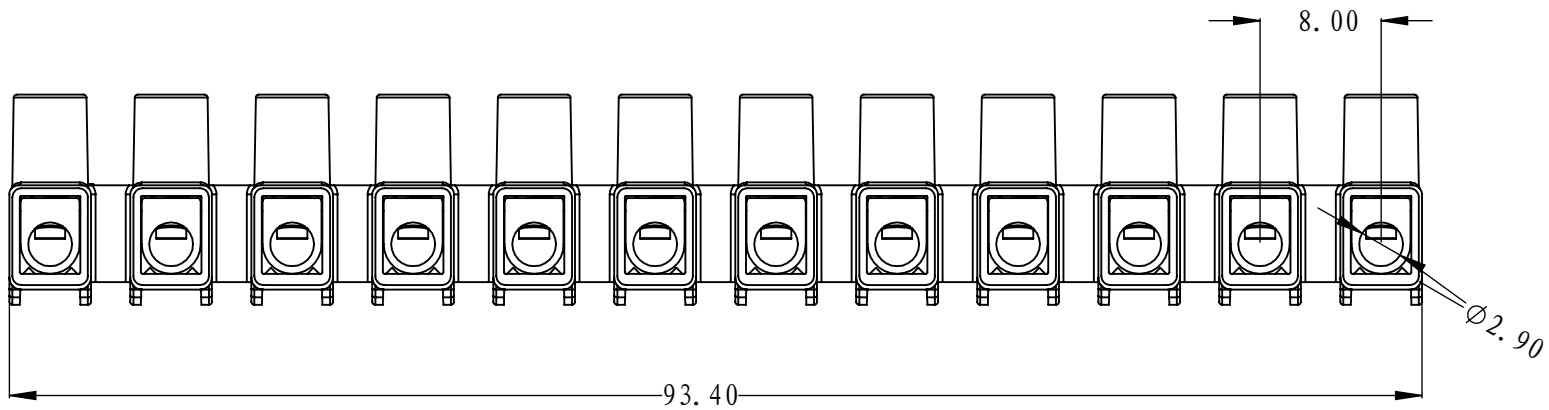
DATE

EDITION

A

SCALE

2:1



SERIAL NUMBER: Q/KR. C09-05-186

| | | | | | | | |
|--|--|------|--|-----------------------|---|-------|-----|
| JIANGMEN KREALUX ELECTRICAL APPLIANCES CO., LTD | | | | MODEL NO: T04-M12W | | | |
| DRAWN | | DATE | | EDITION | A | SCALE | 2:1 |